



DEGO

Definition of Sound

Master 3000 T

HIGH TECH ALUMINIUM CONE DRIVER

Owner's manual for the Tweeter set

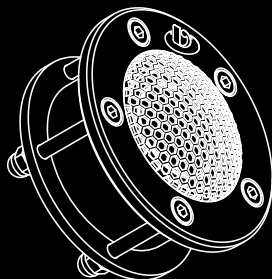
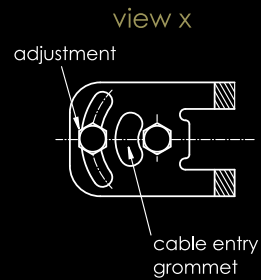
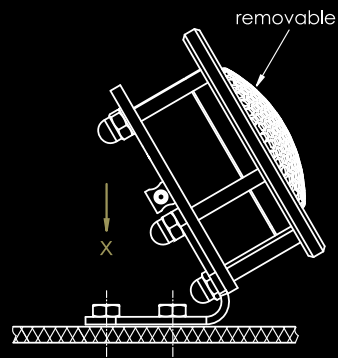
Master SERIES

Designed, engineered & manufactured in Germany

MASTER 3000T SPECIFICATIONS

Tweeter	(mm)	25
Impedance	(Ohm)	4
Nominal Power *	(Watt)	80
Peak Power	(Watt)	120
Frequency Response	(kHz)	1.5 - 23
Sensitivity	(db,1W/1m)	88

* Filter: 2. order HP Butterworth 2.5 kHz



CONGRATULATIONS!

You have just purchased the DEGO Reference Tweeter Master 3000 T.

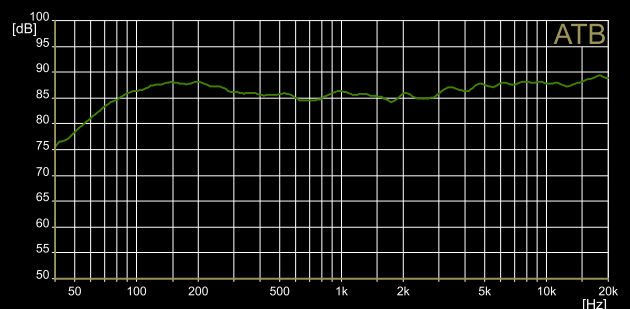
Its features are a 25 mm specially treated silk dome, the vented pole piece, a strong neodymium magnet with added volume. The outstanding pillar design makes it one of the finest speakers in German engineering.



MASTER 3000MR SPECIFICATIONS

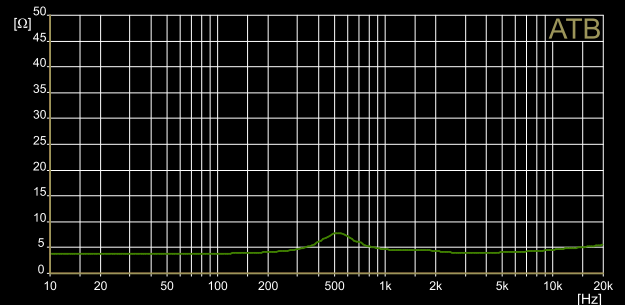
DC resistance	Re	3.4	Ω
Nominal impedance	Zn	4	Ω
Voice coil diameter		25	mm
Voice coil height		1.4	mm
Height of gap		2	mm

Frequency response [1W/1m]



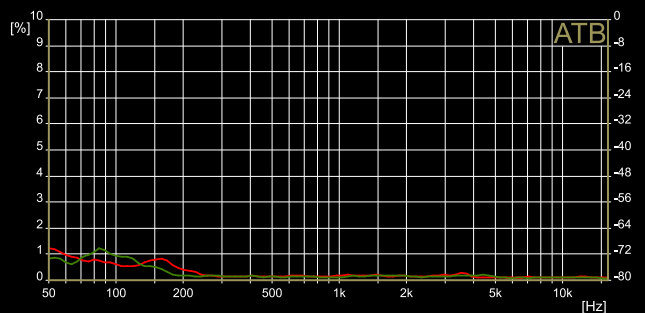
Resonance frequency	fs	750	Hz
---------------------	----	-----	----

Impedance



SPL 1W/1m		88	dB
-----------	--	----	----

Harmonic Distortion [1W/1m]



Designed, engineered & manufactured in Germany